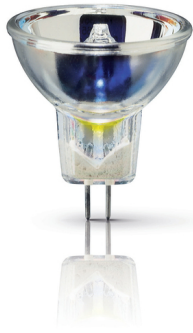


Halogen reflector

13165 35W GZ4 14V 1CT



Philips' halogen reflector lamps offer the ideal no-fuss solution for a wide variety of medical, projection and scientific illumination systems. Their proven reliability makes them ideal for retrofit installations. The burners are precisely aligned for optimal light performance. Dichroic reflectors ensure heat dissipation towards the back of the optical system, which helps the optical system remain within temperature limits. A special blue-filter version blocking out unwanted light above 700 nm is available for dental curing applications. In addition, you get all the proven advantages of halogen technology such as a CRI of 100 – the same as natural sunlight for the best possible color rendering. Halogen lamps also create a comfortable warm white light, and they maintain their high lumen output with almost no lumen reduction throughout their lifetime.

Product data

• General Characteristics

Philips Code	13165
ANSI Code	-
J Code	-
LIF Code	-
Cap-Base	GZ4
Bulb	R35
Bulb Material	Quartz-UV Open
Reflector Finish	Smooth Dichroic
Filament Shape	-
Operating Position	any
Main Application	Dental Hardening
Life to 50% failures	50 hr

• Light Technical Characteristics

Color Rendering Index	100 Ra8
Color Temperature	3400 K
Technical	
Curing Power Area 400-500nm	160 mW/cm ²

• Electrical Characteristics

Watts	35 W
Voltage	14 V
Dimmable	Yes

• Luminaire Design Requirements

Pinch Temperature	400 (max) C
Bulb Temperature	900 (max) C
Working Distance WD	21 mm

• Product Dimensions

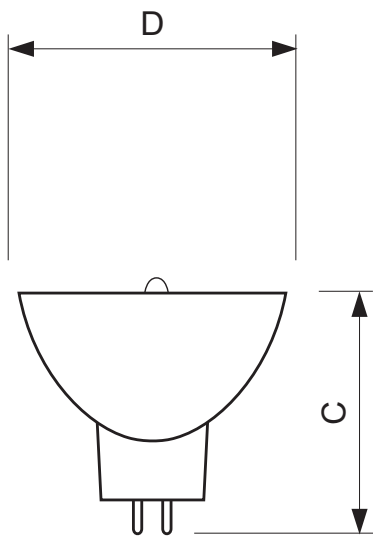
Overall Length C	42 (max) mm
Diameter D	35 (max) mm
Filament Dimensions (WxH) [mm]	-

• Product Data

Product number	442954
Full product name	13165 35W GZ4 14V 1CT
Short product name	13165 35W GZ4 14V 1CT/10X5F
Pieces per Sku	1
eop_pck_cfg	10X5F
Skus/Case	50
Bar code on pack	8711500409768
Bar code on intermediate pack	8711500419323
Bar code on case	8711500419316
Logistics code(s)	923889018304
eop_net_weight_pp	0.024 kg

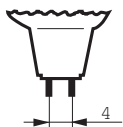
PHILIPS

Dimensional drawing



13165 35W GZ4 14V 1CT

Product	C (Max)	D (Max)	L (Min)	L (Norm)	L (Max)
13165 35W GZ4 14V	42	35	-	-	-



GZ4



© 2013 Koninklijke Philips N.V. (Royal Philips)
All rights reserved.

Specifications are subject to change without notice. Trademarks are the property of Koninklijke Philips N.V. (Royal Philips) or their respective owners.

www.philips.com/lighting

2013, October 4
data subject to change