

DX-404

4 CH DMX Dimmer Pack

【User Manual】



Lite Puter Enterprise Co., Ltd.
Website: www.liteputer.com.tw
Email: sales@liteputer.com.tw

Index

1 Introduction	3
1-1 Feature	3
1-2 Specification	3
1-3 Front Panel & Rear Panel	4
1-4 Wiring	5
2 Operation	6
2-1 Standard DMX512 Signal	6
2-2 DMX Start Channel Address Setting	6
2-3 Dimming / Switch Mode Setting	6
2-4 Warm Up Setting (0...6%)	7
2-5 Channel Output Status Review	7
2-6 Channel Switch	7
2-7 DMX Status & DMX Address	7
Limited Warranty	8

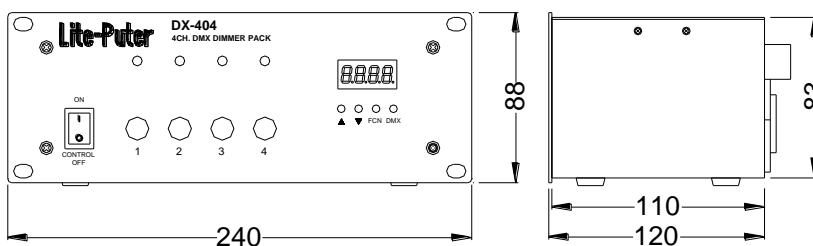
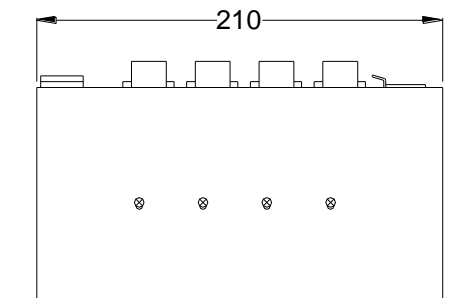
1 Introduction

1-1 Feature

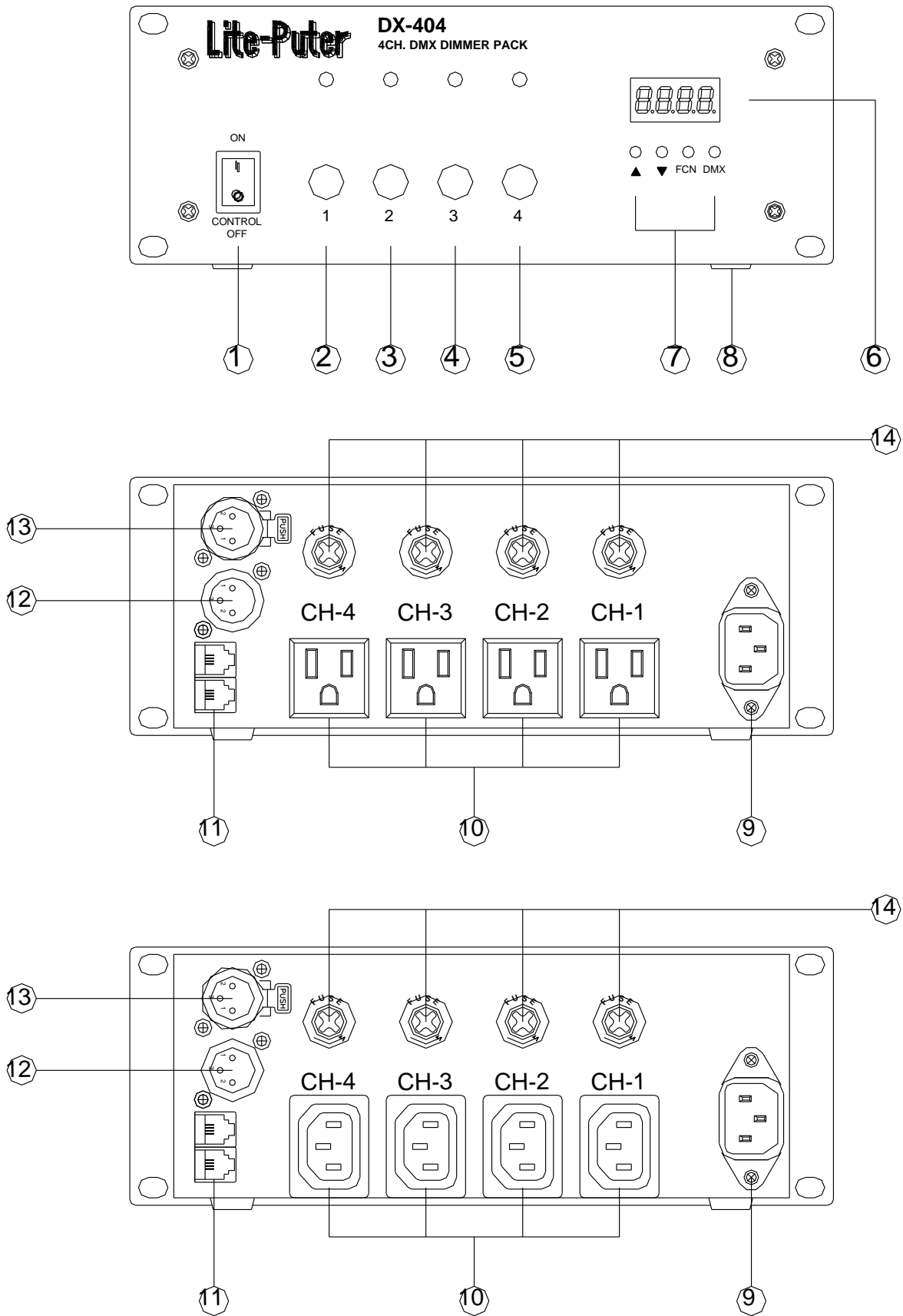
- Max. 4A per channel, total 15A.
- DMX 512 signal.
- 'C3' dimming curve.
- 256 steps dimming resolution.
- DMX start channel address setting.
- Channel output status preview function.
- Auto frequency tracking function.
- Warm up setting 0---6%.
- Automatic warm up function to protect loads and extend the life of fixture.

1-2 Specification

- Power: AC 100-120V, AC 200-240V, 45-63Hz, 2 input
- Output: Maximum 4A per channel, total 15A
- Signal input/ output: DMX512/ 1990
- Signal connector: XLR 3Pin, 6P4C, RJ11 phone jack
- Installation: TRUSS hanging or desktop operation.
- Weight: 1.2 Kg
- Fuse: PCB No.:J125B1 F1(Tube fuse,0.5A,250V)
- Dimension: 240(W)*88(H)*210(D)mm



1-3 Front Panel & Rear Panel



Front Panel Introduction

1.	Power switch
2.	CH. 1
3.	CH. 2
4.	CH. 3
5.	CH. 4
6.	LED display
7.	Function key
8.	Pad

Rear Panel Introduction

9.	AC power input 15A	
10.	America socket: CH-1...CH-4, AC 100-120V EEC socket: CH-1...CH-4, AC 200-240V	
11.	DMX signal input (6P4C Phone jack)	
12.	DMX signal input (3 PIN Cannon plug)	
13.	DMX signal output (3 PIN Cannon plug)	
14.	Trip type circuit breaker, 8A MAX	

1-4 Wiring

The wire & connectors used must follow the local government and other applicable rules and electrical regulations!

- 12 AWG: 20A
- 14 AWG: 15A
- 16 AWG: 13A
- 18 AWG: 10A

2 Operation

2-1 Standard DMX512 Signal



This point is blinking when receiving DMX.

2-2 DMX Start Channel Address Setting

STEP-1 Hold **【DMX】** and press **【▲】** or **【▼】** to set the start channel address.



【▲】 : move 1 address forward : up to Channel 512



【▼】 : move 1 address backward :down to Channel 1

DX-404 is a 4 channels dimmer pack, when the start channel address set:
 as d.001, the output is from Channel 1→ Channel 4.
 as d.005, the output is from Channel 5→ Channel 8.
 It is allowed that more than 1 piece of DX-404 can set as the same start channel address.

2-3 Dimming / Switch Mode Setting

STEP-1 Press **【DMX】** enter into the DMX status.

STEP-2 Hold **【FCN】** for 3 sec.



Default setting: all channel are set as dimming mode

STEP-3 Press **【FCN】** to select the channel no..

STEP-4 Press **【▲】** or **【▼】** to select dimming mode or switch mode.



(Dimming)



(Switch)

2-4 Warm Up Setting (0...6%)

STEP-1 Press **【FCN】** enter into the setting.



STEP-2 Press **【FCN】** to select the channel no., EX : select channel 1

STEP-3 Press **【▲】** or **【▼】** to adjust the warm up value.



Channel 1's warm up value is 6%.

2-5 Channel Output Status Review

STEP-1 Press **【DMX】** enter into the DMX status.

STEP-2 press **【▲】** or **【▼】** to preview the channel status(Dimming value).



FL means the dimming value is 100%.

2-6 Channel Switch

STEP-1 Press blue key **【CH-1】** ~ **【CH-4】** to switch on channel 1 to 4.

2-7 DMX Status & DMX Address

A.Press **【DMX】** enter into DMX status.

B.If the device's unused for 10 minutes, it will go to DMX status.

Limited Warranty

1. Lite-Puter is only responsible for the product itself.
2. Lite-Puter guarantees to keep Lite-Puter's from manufacturing defects within a year since the distributing date.
3. Lite-Puter does not offer on-site service. If the defects appears
In Lite-Puter's product, please deliver the product to local distributors or to Taipei headquarters.
4. The warranty does not cover:
 - a. Any fault caused by false usage, imprudence (collision, inadequate installation or adjustment, insufficient ventilation, or improper repairs)
 - b. Force majeure factors (*flooding, earthquake, thunder, volcanic eruption, tsunami or other factors beyond Lite-Puter control*).
 - c. The cost of installing, reinstalling, adjusting, repairing, or reprogramming the product.
 - d. Other products or devices which are offered by Lite-Puter or not by Lite-Puter.
5. Lite-Puter does not warrant the product will operate without interruption or being free of error.

Revision Record

Version	Record
D	Add detail information

Issued on: June , 2011

Lite-Puter

World Headquarter:

Lite Puter Enterprise Co., Ltd.

Address: 11F, No. 189, Gangqian Rd., Neihu Dist., Taipei City, Taiwan

Zip Code: 11494

Tel: +886-2-27998099

Fax: +886-2-27993828

Website: www.liteputer.com.tw

E-mail: sales@liteputer.com.tw

Shanghai Factory:

Lite Puter Technology (Shanghai) Co., Ltd.

Address: Building B5, No. 298, Lane 3509, Hongmei S. Road, Shanghai, China

Zip Code: 201108

Tel: +86-21-54408210

Fax: +86-21-64978079

Shanghai Sales Center:

Address: Room 701, Building Gem, No. 487, Tianlin Road, Shanghai, China

Zip Code: 201103

Tel: +86-21-33674316/33674850

Fax: +86-21-33674013

Website: www.liteputer.com.cn

E-mail: sales_china@liteputer.com.tw