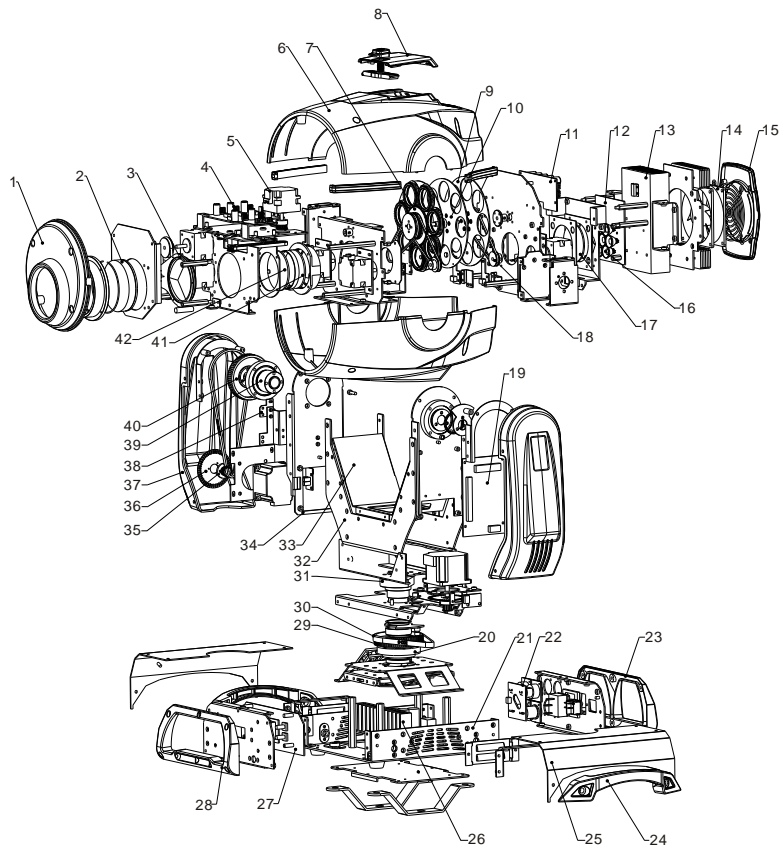


5 APPENDIX

5.1 MAINTENANCE



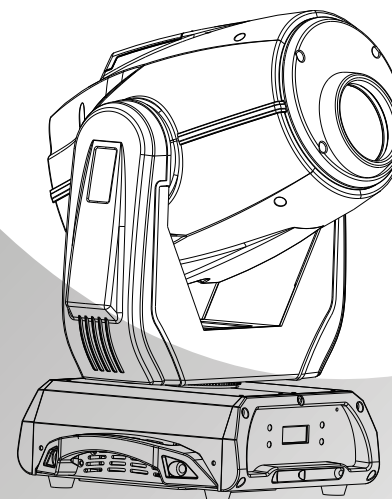
No	ITEM
1	Head plastic front cover
2	Φ 80 agglutination lens
3	Prism combination
4	Driver board
5	Motor
6	Head plastic cover 2
7	Gobo wheels
8	Plastic slip cover
9	Color wheel
10	Fixed pattern plate
11	Driver board
12	LED board
13	Heat sink
14	Fan(SUNON)

No	ITEM
15	Head plastic back cover
16	Lens
17	Φ 60 fresnel lens
18	Rotating gear
19	Driver board
20	X axes bearing block combination
21	Base box back plate
22	Adaptor PCB
23	Base box cover(PS)
24	Handgrip
25	Base box side cover
26	Power supply
27	Display board
28	Base box cover(display)

No	ITEM
29	X axes pulley
30	Synchronization belt
31	X principal axis
32	U-frame faceplate
33	U-frame coverplate
34	U-frame side plate 1
35	Drive belf
36	Optical wheel
37	Arm plastic cover
38	Magnetic stopper sensor
39	Y axes bearing block combination
40	Y-large gear
41	Φ 60 lens
42	Φ 62 lens

INDIGO 4000XS

USER MANUAL



SS630SC

SILVER STAR
Professional Lighting

www.yajiang.cn

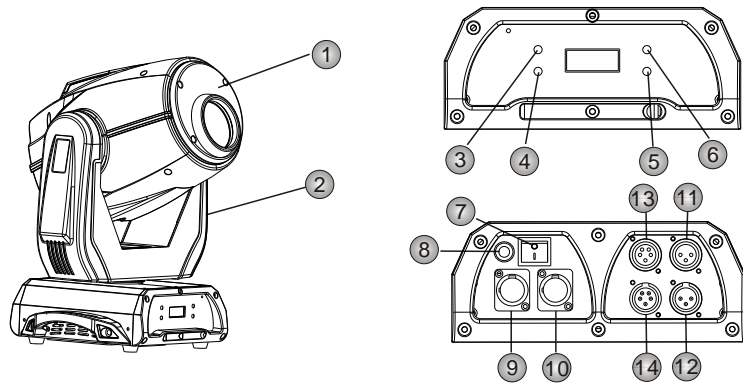
RD-SS630-SM-00(SS-I)
V: #001

1 PRODUCT SPECIFICATIONS

1.1 PRODUCT SPECIFICATIONS

- ◆ Voltage: AC100~240V, 50/60Hz
- ◆ Max Power: 130W
- ◆ Size: 360X270X520mm
- ◆ Weight: 12kg

1.2 PRODUCT FEATURES



No	ITEM	No	ITEM	No	ITEM
1	Head	6	Up	11	DMX 3-PIN signal input
2	Side arm	7	Switch	12	DMX 3-PIN signal output
3	Menu	8	Fuse holder	13	DMX 5-PIN signal input
4	Enter	9	Power input	14	DMX 5-PIN signal output
5	Down	10	Power OUT		

CHANNEL	VALUE	FUNCTION
6	0 ↔ 60	GOBO 2 ROTATION 360° indexing
	61 ↔ 150	Clockwise rotate from slow to fast
	151 ↔ 165	No function
	166 ↔ 255	Anti-clockwise rotate from slow to fast
7	0 ↔ 4	PRISM & PRISM ROTATION White light
	5 ↔ 9	Prism but not turn
	10 ↔ 127	Anti-clockwise rotate from slow to fast
	128 ↔ 132	Prism but not turn
	133 ↔ 255	Clockwise rotate from slow to fast
8	0 ↔ 255	FOCUS Far Near
9	0 ↔ 255	DIMMER Dark Bright
10	0 ↔ 31	STROBE Close
	32 ↔ 63	Open
	64 ↔ 95	Strobe: Slow > Fast
	96 ↔ 127	Open
	128 ↔ 159	Rulse strobe effect: Slow > Fast
	160 ↔ 191	Open
	192 ↔ 223	Random strobe effect: Slow > Fast
	224 ↔ 255	Open
11	0 ↔ 19	CONTROL No function (After 3 S move light show board curve is preferred)
	20 ↔ 39	Pan/tilt black activated
	40 ↔ 59	Pan/tilt black deactivated
	60 ↔ 79	Fan automatic
	80 ↔ 99	Fan slow
	100 ↔ 119	Fan standard
	120 ↔ 139	Fan high-speed
	140 ↔ 149	Auto1
	150 ↔ 159	Auto2
	160 ↔ 169	Test
	170 ↔ 179	Custom
	180 ↔ 189	Sound 1
	190 ↔ 199	Sound 2
	200 ↔ 219	Reset
	220 ↔ 235	No function
	236 ↔ 239	DIM0
	240 ↔ 243	DIM1
244 ↔ 247	DIM2	
248 ↔ 251	DIM3	
252 ↔ 255	DIM4	
		Note: no use for empty when word control to no effect.

PERSON2

CHANNEL	VALUE	FUNCTION
1	0 ↔ 255	PAN 0~540°
2	0 ↔ 255	PAN FINE 0~270°
3		COLOR
	0 ↔ 9	NO
	10 ↔ 19	Red
	20 ↔ 29	Green
	30 ↔ 39	Yellow
	40 ↔ 49	Blue
	50 ↔ 59	Orange
	60 ↔ 69	Magenta
	70 ↔ 79	Light Blue
	80 ↔ 99	Light Blue → Magenta
	100 ↔ 119	Magenta → Orange
	120 ↔ 139	Orange → Blue
	140 ↔ 159	Blue → Yellow
	160 ↔ 179	Yellow → Green
	180 ↔ 199	Green → Red
200 ↔ 219	Red → White	
220 ↔ 255	Rainbow or linear effect	
4		GOBO 1
	0 ↔ 10	NO GOBO
	11 ↔ 20	GOBO 1
	21 ↔ 30	GOBO 2
	31 ↔ 40	GOBO 3
	41 ↔ 50	GOBO 4
	51 ↔ 60	GOBO 5
	61 ↔ 70	GOBO 6
	71 ↔ 80	GOBO 7
	81 ↔ 95	Shaking gobo 7
	96 ↔ 110	Shaking gobo 6
	111 ↔ 125	Shaking gobo 5
	126 ↔ 140	Shaking gobo 4
	141 ↔ 155	Shaking gobo 3
	156 ↔ 170	Shaking gobo 2
	171 ↔ 185	Shaking gobo 1
	186 ↔ 255	Flow effect
	5	
0 ↔ 10		NO GOBO
11 ↔ 20		GOBO 1
21 ↔ 30		GOBO 2
31 ↔ 40		GOBO 3
41 ↔ 50		GOBO 4
51 ↔ 60		GOBO 5
61 ↔ 70		GOBO 6
71 ↔ 85		Shaking gobo 6
86 ↔ 100		Shaking gobo 5
101 ↔ 115		Shaking gobo 4
116 ↔ 130		Shaking gobo 3
131 ↔ 145		Shaking gobo 2
146 ↔ 160		Shaking gobo 1
161 ↔ 255		Flow effect

1.3 SAFETY WARNING

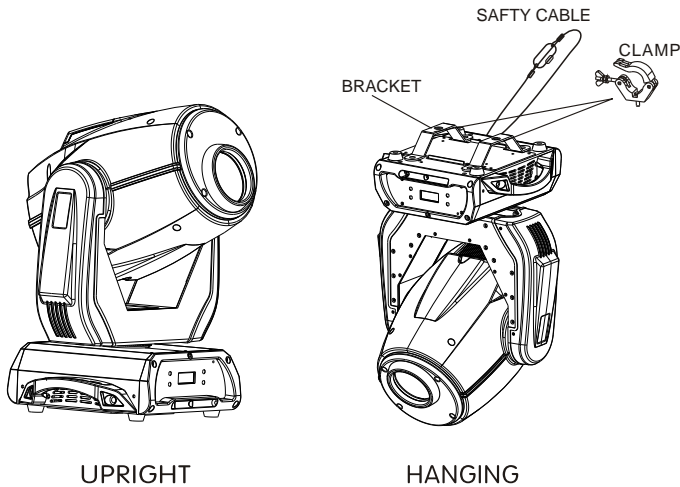
IMPORTANT:

- This product must be installed by a qualified professional.
- All maintenance must be carried out by a qualified electrician.
- A minimum distance of 0.5m must be maintained between the equipment and a combustible surface.
- The product must always be operated in a well ventilated area.
- DO NOT stare directly into the LED light source.
- Always disconnect the power before carrying out any maintenance.
- The earth must always be connected to the ground.
- Ensure that all parts of the equipment are kept clean and free of dust.

2 INSTALLATION

2.1 MOUNTING:

- The fixture can be mounted in any position.
- Always ensure that mounting surface can withstand 10 times the weight of the fixture.
- Always use a safety cable when mounting the fixture in any elevated position.



IMPORTANT SAFETY NOTE!!

Always use a safety cable when installing this unit!!
Be sure that the safety cable is connected to a solid load-bearing structure.

CHANNEL	VALUE	FUNCTION
8	0 ⇄ 10	GOBO 2
	11 ⇄ 20	NO GOBO
	21 ⇄ 30	GOBO 1
	31 ⇄ 40	GOBO 2
	41 ⇄ 50	GOBO 3
	51 ⇄ 60	GOBO 4
	61 ⇄ 70	GOBO 5
	61 ⇄ 70	GOBO 6
	71 ⇄ 85	Shaking gobo 6
	86 ⇄ 100	Shaking gobo 5
	101 ⇄ 115	Shaking gobo 4
	116 ⇄ 130	Shaking gobo 3
	131 ⇄ 145	Shaking gobo 2
	146 ⇄ 160	Shaking gobo 1
161 ⇄ 255	Flow effect	
9	0 ⇄ 60	GOBO 2 ROTATION
	61 ⇄ 150	360° indexing
	151 ⇄ 165	Clockwise rotate from slow to fast
	166 ⇄ 255	Anti-clockwise rotate from slow to fast
10	0 ⇄ 4	PRISM & PRISM ROTATION
	5 ⇄ 9	White light
	10 ⇄ 127	Prism but not turn
	128 ⇄ 132	Anti-clockwise rotate from slow to fast
	133 ⇄ 255	Prism but not turn
11	0 ⇄ 255	FOCUS Far Near
	0 ⇄ 255	DIMMER Dark Bright
12	0 ⇄ 31	STROBE Close
	32 ⇄ 63	Open
	64 ⇄ 95	Strobe: Slow > Fast
	96 ⇄ 127	Open
	128 ⇄ 159	Rulse strobe effect: Slow > Fast
	160 ⇄ 191	Open
	192 ⇄ 223	Random strobe effect: Slow > Fast
	224 ⇄ 255	Open
13	0 ⇄ 19	CONTROL
	20 ⇄ 39	No function (After 3 S move light show board curve is preferred)
	40 ⇄ 59	Pan/tilt black activated
	60 ⇄ 79	Pan/tilt black deactivated
	80 ⇄ 99	Fan automatic
	100 ⇄ 119	Fan slow
	120 ⇄ 139	Fan standard
	140 ⇄ 149	Fan high-speed
	150 ⇄ 159	Auto1
	160 ⇄ 169	Auto2
	170 ⇄ 179	Test
	180 ⇄ 189	Custom
	190 ⇄ 199	Sound 1
	200 ⇄ 209	Sound 2
	210 ⇄ 219	Reset
	220 ⇄ 235	No function
	236 ⇄ 239	DIM0
240 ⇄ 243	DIM1	
244 ⇄ 247	DIM2	
248 ⇄ 251	DIM3	
252 ⇄ 255	DIM4	
		Note: no use for empty when word control to no effect.

4 USING A DMX512 CONTROLLER

4.1 CHANNEL ASSIGNMENT

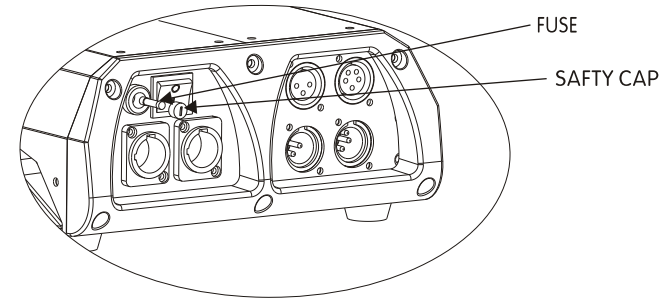
- Note: This product have two DMX512 channel configuration: **PERSON1** and **PERSON2**.

PERSON1

CHANNEL	VALUE	FUNCTION
1	0 ↔ 255	PAN 0~540°
2	0 ↔ 255	PAN FINE Fine control of tilt movement 0~3°
3	0 ↔ 255	TILT 0~270°
4	0 ↔ 255	TILT FINE Fine control of tilt movement 0~3°
5	0 ↔ 255	PAN/TILT SPEED From fast to slow
6		COLOR
	0 ↔ 9	NO
	10 ↔ 19	Red
	20 ↔ 29	Green
	30 ↔ 39	Yellow
	40 ↔ 49	Blue
	50 ↔ 59	Orange
	60 ↔ 69	Magenta
	70 ↔ 79	Light Blue
	80 ↔ 99	Light Blue → Magenta
	100 ↔ 119	Magenta → Orange
	120 ↔ 139	Orange → Blue
	140 ↔ 159	Blue → Yellow
	160 ↔ 179	Yellow → Green
180 ↔ 199	Green → Red	
200 ↔ 219	Red → White	
220 ↔ 255	Rainbow or linear effect	
7		GOBO1
	0 ↔ 10	NO GOBO
	11 ↔ 20	GOBO 1
	21 ↔ 30	GOBO 2
	31 ↔ 40	GOBO 3
	41 ↔ 50	GOBO 4
	51 ↔ 60	GOBO 5
	61 ↔ 70	GOBO 6
	71 ↔ 80	GOBO 7
	81 ↔ 95	Shaking gobo 7
	96 ↔ 110	Shaking gobo 6
	111 ↔ 125	Shaking gobo 5
	126 ↔ 140	Shaking gobo 4
	141 ↔ 155	Shaking gobo 3
	156 ↔ 170	Shaking gobo 2
	171 ↔ 185	Shaking gobo 1
	186 ↔ 255	Flow effect

2.2 FUSE REPLACEMENT

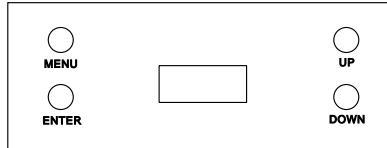
- Remove the safety cap by a screwdriver.
- Fetch the old fuse from safety cap.
- Install a new fuse.
- Install the safety cap.



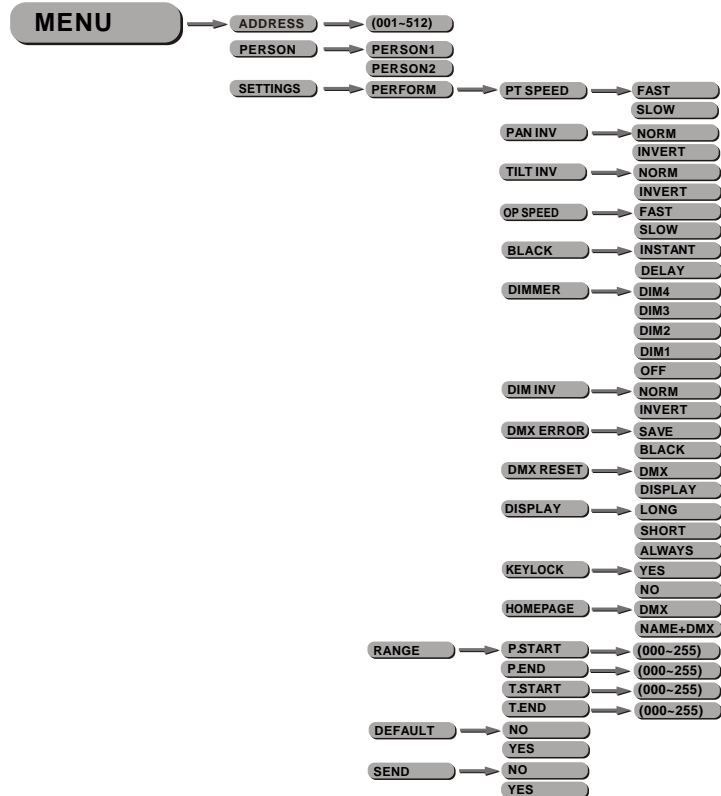
3 DISPLAY PANEL OPERATION

3.1 BASIC

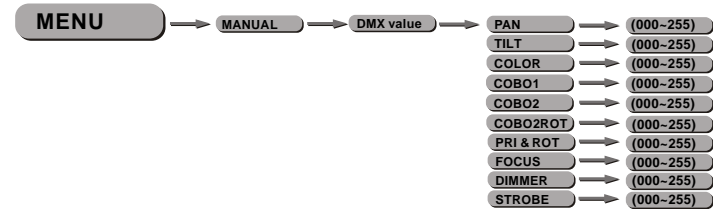
- 【 MENU 】** Scroll through the main menu or exit from the current sub-menu
- 【 ENTER 】** Enter the currently selected menu or confirm the current function value
- 【 DOWN 】** Scroll 'DOWN' through the menu list or decrease the value of the current function
- 【 UP 】** Scroll 'UP' through the menu list or increase the value of the current function



3.2 MENU



3.72 MANUAL



- Adjust the values of **【 PAN/TILT/COLOR/COBO1/COBO2/COBO2ROT/PRI & ROT/FOCUS/DIMMER/STROBE 】** in order to carry out manual control

3.71 ACCESS



- **【 SETTLOCK 】** menu, select **【 ON 】** to enable access to **【 SETTINGS 】** menu
- **【 SERV LOCK 】** menu, select **【 ON 】** to enable access to **【 SERVICE 】** menu

3.82 INFO



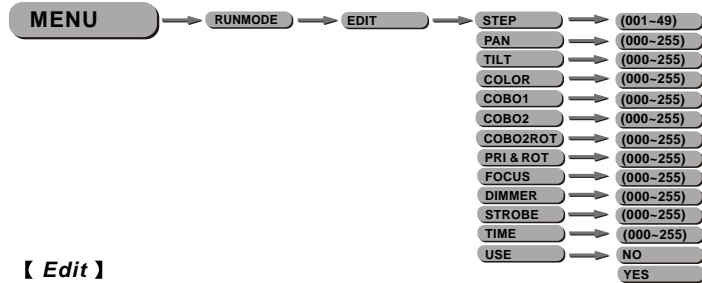
- **【 INFO 】** software version number

3.83 CONTENT



- **【 DISPLAY1 】** menu, edit first line of display content
- **【 SEND 】** menu, select **【 YES 】** in order to transfer display content to all fixtures currently connected via data cable

3.62 EDIT



【 Edit 】

- Enter the **【 Edit 】** mode to edit the custom programs by adjusting the value of **【 STEP 】**, **【 PAN 】**, **【 TILT 】**, **【 COLOR 】**, **【 COBO2 】**, **【 COBO2ROT 】**, **【 PRI & ROT 】**, **【 FOCUS 】**, **【 DIMMER 】**, **【 STROBE 】**, **【 TIME 】**
- Enter **【 Use 】** and select **【 Yes 】** to run the steps user need.

Note: if user want to circulate the created steps, please set the last step 's **【 Time 】** as 0

For example, there are 3 steps, the setting should be like belowed:

- Step 1 **【 Time 】** = 4 **【 Use 】** = Yes
- Step 2 **【 Time 】** = 5 **【 Use 】** = Yes
- Step 3 **【 Time 】** = 0 **【 Use 】** = Yes

3.63 SEND

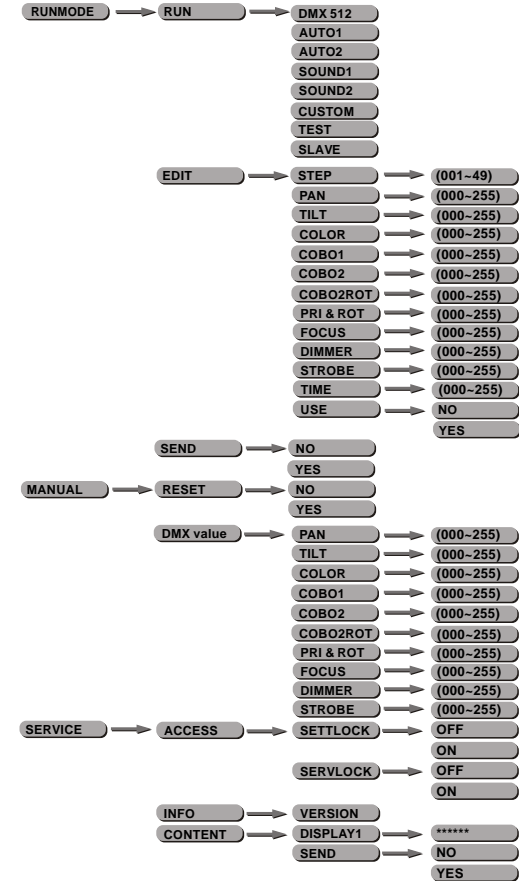


- **【 SEND 】** menu, select **【 YES 】** to send all custom programs to in-line fixtures.

3.71 MANUAL



- **【 RESET 】** menu, select **【 YES/NO 】** to carry out full fixture reset



3.3 DMX ADDRESS (ADDRESS)



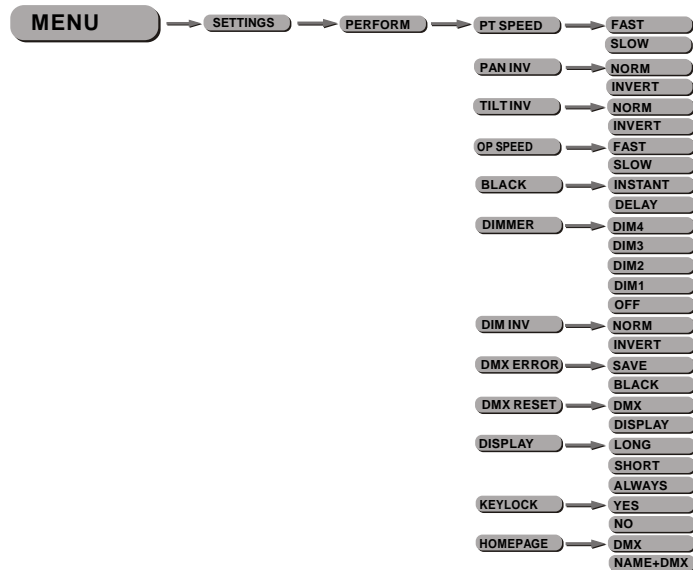
- Enter the **【 DMX 】** mode to set the DMX ADDRESS.

3.4 PERSONALITY (PERSON)



- Enter the **【 PERSON 】** mode to select DMX mode: **【 PERSON1 】**, **【 PERSON2 】**.

3.51 PERFORMANCE(PERFORM)



- **【PT SPEED】** menu, select **【Slow/Fast】** for required PAN/TILT movement speed.
- **【PAN INV】** menu, select **【NORM/INVERT】** for normal/inverted control of the PAN function
- **【TILT INV】** menu, select **【NORM/INVERT】** for normal/inverted control of the TILT function
- **【OP SPEED】** menu, select **【SLOW/FAST】** for required optics speed
- **【BLACK】** menu, select **【INSTANT】** for immediate activation of PAN/TILT blackout when selected using the control channel or **【DELAY】** for 3 second delay before activation. **【DIMMER】** menu for selection of **【DIM1/DIM2/DIM3/DIM4/OFF】** special dimming curves
- **【DIM INV】** menu, select **【NORMAL/INVERT】** for normal/inverted control of DIMMING function
- **【DMXerror】** menu, select **【SAVE】** to maintain last command or **【BLACK】** for blackout in case of DMX error.
- **【DMXreset】** menu, select **【DMX】** to allow remote reset using DMX controller or **【DISPLAY】** for reset only available at on-fixture display
- **【DISPLAY】** menu, select **【LONG/SHORT/ALWAYS】** to determine the time mode for the display backlight.
- **【KEYLOCK】** menu, select **【YES】** in order to lock the display when not in use or on start-up.
- **【HOMESCREEN】** menu, select **【DMX】** to display DMX address or **【NAME】** to display user-created content when display not in use.

3.52 RANGE



- **【P/START】** Set pan start value **【000-255】**
- **【P/END】** Set pan finish value **【000-255】**
- **【T/START】** Set Tilt start value **【000-255】**
- **【T/END】** Set Tilt finish value **【000-255】**

3.53 DEFAULT



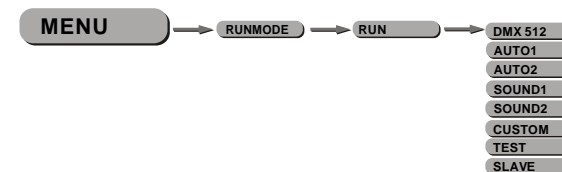
- **【DEFAULT】** menu, select **【YES】** to reset all settings to default.

3.54 SEND



- **【SEND】** menu, select **【YES】** to send all settings to in-line fixtures.

3.61 RUN



- **【RUN】** menu, select required run mode.