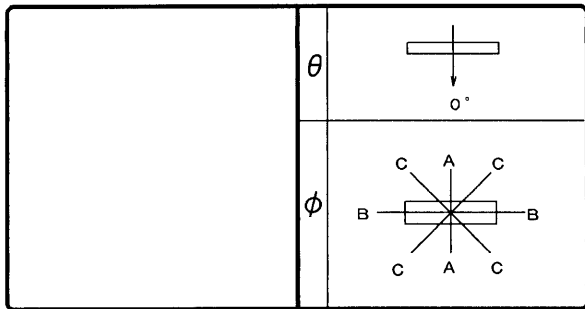


東芝照明器具配光データシート

| | |
|----|----------------|
| 名称 | 蛍光灯器具 |
| 形名 | FHT-21085K-PH9 |

| | | |
|-----|---|------|
| 保守率 | 良 | 0.73 |
| | 中 | 0.69 |
| | 否 | 0.61 |



| | | |
|----|----|-------------|
| 光源 | 名称 | 蛍光ランプ |
| | 形名 | FHF16EX-N-H |
| | 光束 | 2100 lm × 1 |

| | | |
|----|------|---------|
| 効率 | F | 26% |
| | F | 65% |
| | F | 91% |
| | 器具光束 | 1902 lm |

| 最大取付間隔 | |
|--------|-------|
| A-A | 1.6 H |
| B-B | 1.2 H |

| | |
|----|--|
| 備考 | |
|----|--|

| | |
|-----|--------|
| 前面 | |
| 反射面 | 塗装 (白) |

| 光度 (cd/1000lm) | | | |
|-------------------------|-----|-----|-----|
| $\theta \setminus \phi$ | A-A | B-B | C-C |
| 0° | 139 | 139 | 139 |
| 10° | 141 | 137 | 138 |
| 20° | 143 | 129 | 137 |
| 30° | 145 | 117 | 132 |
| 40° | 147 | 100 | 127 |
| 50° | 147 | 80 | 121 |
| 60° | 142 | 56 | 111 |
| 70° | 132 | 32 | 98 |
| 80° | 121 | 10 | 83 |
| 90° | 114 | 0 | 75 |
| 100° | 115 | 0 | 77 |
| 110° | 116 | 0 | 75 |
| 120° | 101 | 0 | 49 |
| 130° | 67 | 0 | 26 |
| 140° | 33 | 0 | 5 |
| 150° | 4 | 0 | 0 |
| 160° | 0 | 0 | 0 |
| 170° | 0 | 0 | 0 |
| 180° | 0 | 0 | 0 |

| 天井 反射率 (%) | 80 | | | | | | 70 | | | | | | 50 | | | | | | 30 | | 20 | | 0 | |
|---------------|---------------|----|----|----|----|----|----|----|----|----|----|----|----|----|----|----|----|----|----|----|----|---|----|---|
| | 壁 | | 70 | | 50 | | 30 | | 70 | | 50 | | 30 | | 50 | | 30 | | 30 | | 10 | | 0 | |
| 床 | 30 | 10 | 30 | 10 | 30 | 10 | 30 | 10 | 30 | 10 | 30 | 10 | 30 | 10 | 30 | 10 | 30 | 10 | 30 | 10 | 10 | 0 | 10 | 0 |
| 室指数 | 照 明 率 (×0.01) | | | | | | | | | | | | | | | | | | | | | | | |
| 0.60 | 48 | 44 | 35 | 33 | 27 | 26 | 45 | 41 | 33 | 31 | 25 | 25 | 29 | 28 | 23 | 22 | 21 | 20 | 16 | 13 | | | | |
| 0.80 | 57 | 52 | 44 | 41 | 35 | 33 | 54 | 49 | 41 | 39 | 33 | 32 | 37 | 35 | 30 | 29 | 27 | 27 | 22 | 18 | | | | |
| 1.00 | 64 | 57 | 50 | 46 | 41 | 39 | 59 | 54 | 47 | 44 | 39 | 37 | 42 | 40 | 35 | 34 | 32 | 31 | 26 | 22 | | | | |
| 1.25 | 70 | 62 | 57 | 52 | 48 | 45 | 65 | 59 | 54 | 50 | 45 | 43 | 48 | 45 | 41 | 39 | 36 | 35 | 30 | 26 | | | | |
| 1.50 | 75 | 66 | 62 | 56 | 53 | 49 | 69 | 62 | 58 | 54 | 50 | 47 | 52 | 48 | 45 | 43 | 40 | 39 | 33 | 29 | | | | |
| 2.00 | 82 | 71 | 71 | 63 | 62 | 57 | 76 | 68 | 66 | 60 | 59 | 54 | 58 | 54 | 52 | 49 | 46 | 45 | 39 | 34 | | | | |
| 2.50 | 86 | 75 | 76 | 67 | 68 | 61 | 80 | 71 | 71 | 64 | 64 | 58 | 63 | 58 | 57 | 53 | 50 | 48 | 43 | 38 | | | | |
| 3.00 | 90 | 77 | 81 | 71 | 73 | 65 | 84 | 73 | 75 | 67 | 69 | 62 | 66 | 61 | 61 | 57 | 54 | 51 | 46 | 40 | | | | |
| 4.00 | 94 | 80 | 87 | 75 | 80 | 70 | 88 | 76 | 81 | 71 | 75 | 67 | 71 | 65 | 66 | 61 | 58 | 55 | 50 | 44 | | | | |
| 5.00 | 97 | 82 | 90 | 78 | 84 | 73 | 90 | 78 | 84 | 74 | 79 | 70 | 74 | 67 | 70 | 64 | 61 | 58 | 53 | 47 | | | | |
| 10.00 | 104 | 87 | 99 | 84 | 95 | 81 | 96 | 83 | 93 | 80 | 89 | 78 | 81 | 73 | 78 | 71 | 68 | 64 | 60 | 54 | | | | |

