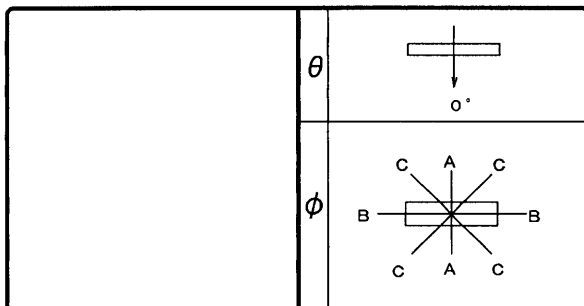


東芝照明器具配光データシート

| | |
|----|-------------------|
| 名称 | 蛍光灯器具 |
| 形名 | FHT-91305-P D9 |

| | | |
|-----|---|------|
| 保守率 | 良 | 0.73 |
| | 中 | 0.69 |
| | 否 | 0.61 |



| | | |
|----|----|-------------|
| 光源 | 名称 | 蛍光ランプ |
| | 形名 | FHF86EN/RX |
| | 光束 | 9200 lm × 1 |

| | | |
|----|------|---------|
| 効率 | F | 27% |
| | F | 66% |
| | F | 93% |
| | 器具光束 | 8559 lm |

| 最大取付間隔 | |
|--------|-------|
| A-A | 1.6 H |
| B-B | 1.2 H |

| | |
|----|--|
| 備考 | |
|----|--|

| | |
|-----|--------|
| 前面 | |
| 反射面 | 塗装 (白) |

| 光度 (cd/1000lm) | | | |
|----------------|-----|-----|-----|
| θ | A-A | B-B | C-C |
| 0° | 135 | 135 | 135 |
| 10° | 134 | 134 | 136 |
| 20° | 137 | 126 | 134 |
| 30° | 144 | 114 | 131 |
| 40° | 148 | 97 | 128 |
| 50° | 149 | 77 | 123 |
| 60° | 145 | 55 | 114 |
| 70° | 136 | 33 | 102 |
| 80° | 124 | 14 | 86 |
| 90° | 118 | 0 | 78 |
| 100° | 120 | 0 | 82 |
| 110° | 122 | 0 | 80 |
| 120° | 106 | 0 | 62 |
| 130° | 82 | 0 | 26 |
| 140° | 29 | 0 | 0 |
| 150° | 0 | 0 | 0 |
| 160° | 0 | 0 | 0 |
| 170° | 0 | 0 | 0 |
| 180° | 0 | 0 | 0 |

| 反射率 (%) | 天井 | | | 70 | | | 50 | | | 30 | | | 20 | | | | | | | |
|---------|---------------|----|-----|----|----|----|----|----|----|----|----|----|----|----|----|----|----|----|----|----|
| | 壁 | 70 | 50 | 30 | 70 | 50 | 30 | 70 | 50 | 30 | 70 | 50 | 30 | 70 | 50 | 30 | | | | |
| 床 | 30 | 10 | 30 | 10 | 30 | 10 | 30 | 10 | 30 | 10 | 30 | 10 | 30 | 10 | 30 | 10 | 0 | | | |
| 室指数 | 照 明 率 (×0.01) | | | | | | | | | | | | | | | | | | | |
| 0.60 | 49 | 45 | 35 | 33 | 27 | 26 | 46 | 42 | 33 | 32 | 26 | 25 | 30 | 28 | 23 | 23 | 21 | 20 | 16 | 13 |
| 0.80 | 59 | 53 | 44 | 42 | 35 | 34 | 55 | 50 | 42 | 40 | 34 | 32 | 37 | 36 | 30 | 29 | 27 | 27 | 22 | 18 |
| 1.00 | 65 | 58 | 51 | 47 | 42 | 39 | 60 | 55 | 48 | 45 | 39 | 38 | 42 | 40 | 35 | 34 | 32 | 31 | 26 | 22 |
| 1.25 | 72 | 64 | 58 | 53 | 49 | 46 | 67 | 60 | 55 | 51 | 46 | 43 | 48 | 45 | 41 | 39 | 37 | 36 | 30 | 26 |
| 1.50 | 76 | 67 | 63 | 57 | 54 | 50 | 71 | 63 | 59 | 55 | 51 | 48 | 52 | 49 | 45 | 43 | 40 | 39 | 33 | 29 |
| 2.00 | 84 | 73 | 72 | 65 | 63 | 58 | 78 | 69 | 68 | 61 | 60 | 55 | 59 | 55 | 53 | 50 | 47 | 45 | 39 | 34 |
| 2.50 | 88 | 76 | 78 | 69 | 69 | 62 | 82 | 72 | 73 | 65 | 65 | 60 | 64 | 59 | 58 | 54 | 51 | 49 | 43 | 38 |
| 3.00 | 92 | 79 | 82 | 72 | 74 | 66 | 85 | 75 | 77 | 69 | 70 | 63 | 67 | 62 | 62 | 57 | 54 | 52 | 46 | 40 |
| 4.00 | 97 | 82 | 89 | 77 | 81 | 72 | 90 | 78 | 83 | 73 | 76 | 68 | 72 | 66 | 67 | 62 | 59 | 56 | 51 | 45 |
| 5.00 | 100 | 84 | 92 | 79 | 86 | 75 | 92 | 80 | 86 | 76 | 81 | 72 | 75 | 68 | 71 | 65 | 62 | 59 | 54 | 47 |
| 10.00 | 106 | 89 | 102 | 86 | 98 | 83 | 99 | 84 | 95 | 82 | 91 | 79 | 82 | 74 | 80 | 72 | 69 | 65 | 61 | 54 |

