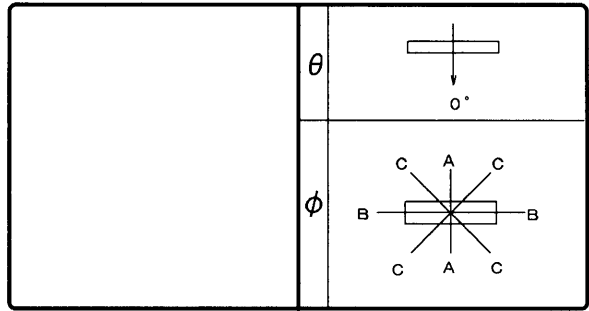


東芝照明器具配光データシート

| | |
|----|---------------------|
| 名称 | 蛍光灯器具 |
| 形名 | FHT-41117NK -PA9 |

| | | |
|-----|---|------|
| 保守率 | 良 | 0.73 |
| | 中 | 0.69 |
| | 否 | 0.61 |



| | | |
|----|----|-------------|
| 光源 | 名称 | 蛍光ランプ |
| | 形名 | FHF32EX-N-H |
| | 光束 | 4950 lm × 1 |

| | | |
|--------|----------|---------|
| 効 率 | F ◡ | 2% |
| | F ◣ | 85% |
| | F ○ | 87% |
| | 器具 光束 | 4298 lm |

| 最大取付間隔 | |
|--------|-------|
| A-A | 1.4 H |
| B-B | 1.3 H |

| | |
|----|--|
| 備考 | |
|----|--|

| | |
|-----|--------|
| 前面 | |
| 反射面 | 塗装 (白) |

| 光度 (cd/1000lm) | | | |
|----------------|-----|-----|-----|
| θ \ φ | A-A | B-B | C-C |
| 0° | 224 | 224 | 224 |
| 10° | 217 | 221 | 221 |
| 20° | 213 | 210 | 212 |
| 30° | 207 | 191 | 200 |
| 40° | 200 | 167 | 184 |
| 50° | 186 | 137 | 167 |
| 60° | 170 | 102 | 143 |
| 70° | 142 | 63 | 116 |
| 80° | 115 | 25 | 84 |
| 90° | 55 | 2 | 37 |
| 100° | 3 | 0 | 1 |
| 110° | 0 | 0 | 0 |
| 120° | 0 | 0 | 0 |
| 130° | 0 | 0 | 0 |
| 140° | 0 | 0 | 0 |
| 150° | 0 | 0 | 0 |
| 160° | 0 | 0 | 0 |
| 170° | 0 | 0 | 0 |
| 180° | 0 | 0 | 0 |

| 反射率 (%) | 天井 | 80 | | | | | | 70 | | | | | | 50 | | | | | | 30 | 20 | 0 |
|---------|---------------|----|-----|----|----|----|-----|----|----|----|----|----|----|----|----|----|----|----|----|----|----|---|
| | 壁 | 70 | 50 | 30 | 70 | 50 | 30 | 70 | 50 | 30 | 50 | 30 | 50 | 30 | 30 | 10 | 0 | | | | | |
| 床 | 30 | 10 | 30 | 10 | 30 | 10 | 30 | 10 | 30 | 10 | 30 | 10 | 30 | 10 | 30 | 10 | 0 | | | | | |
| 室指数 | 照 明 率 (×0.01) | | | | | | | | | | | | | | | | | | | | | |
| 0.60 | 50 | 46 | 37 | 35 | 29 | 28 | 48 | 45 | 36 | 34 | 28 | 28 | 35 | 33 | 28 | 27 | 27 | 22 | 21 | | | |
| 0.80 | 60 | 54 | 47 | 44 | 38 | 36 | 58 | 53 | 45 | 43 | 37 | 36 | 43 | 41 | 36 | 35 | 35 | 34 | 30 | 28 | | |
| 1.00 | 66 | 59 | 53 | 49 | 44 | 42 | 64 | 58 | 52 | 48 | 43 | 41 | 49 | 47 | 42 | 40 | 40 | 39 | 35 | 33 | | |
| 1.25 | 73 | 65 | 60 | 55 | 51 | 48 | 70 | 63 | 59 | 54 | 50 | 47 | 55 | 52 | 48 | 46 | 46 | 45 | 40 | 38 | | |
| 1.50 | 77 | 68 | 65 | 59 | 56 | 52 | 74 | 66 | 63 | 58 | 55 | 52 | 60 | 56 | 53 | 50 | 51 | 49 | 45 | 42 | | |
| 2.00 | 85 | 74 | 74 | 66 | 66 | 60 | 82 | 72 | 72 | 65 | 64 | 59 | 68 | 63 | 61 | 58 | 58 | 56 | 52 | 50 | | |
| 2.50 | 89 | 77 | 80 | 70 | 72 | 65 | 86 | 75 | 77 | 69 | 70 | 64 | 72 | 67 | 66 | 62 | 63 | 61 | 57 | 54 | | |
| 3.00 | 93 | 80 | 84 | 74 | 77 | 68 | 89 | 78 | 81 | 72 | 75 | 67 | 76 | 70 | 71 | 66 | 67 | 64 | 60 | 58 | | |
| 4.00 | 97 | 83 | 90 | 78 | 84 | 73 | 93 | 81 | 87 | 77 | 81 | 73 | 81 | 74 | 76 | 71 | 72 | 69 | 65 | 63 | | |
| 5.00 | 100 | 85 | 94 | 80 | 88 | 77 | 96 | 83 | 90 | 79 | 85 | 76 | 84 | 77 | 80 | 74 | 76 | 72 | 69 | 66 | | |
| 10.00 | 106 | 89 | 102 | 86 | 99 | 84 | 102 | 87 | 98 | 85 | 95 | 83 | 91 | 83 | 89 | 81 | 83 | 79 | 76 | 74 | | |

