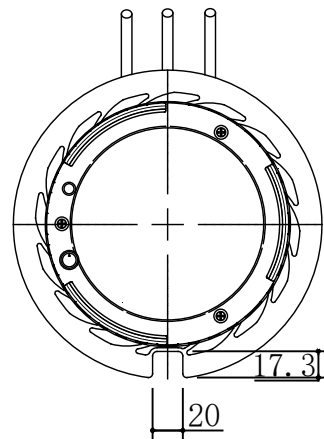
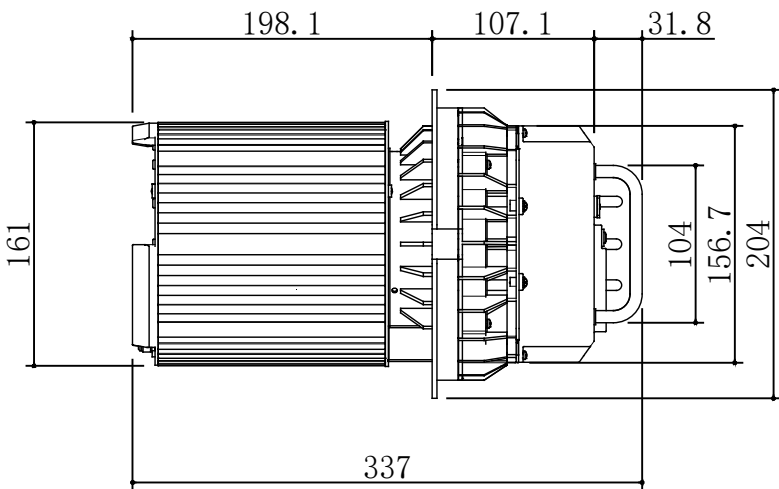
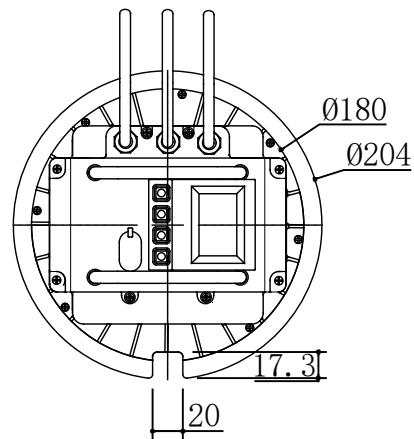
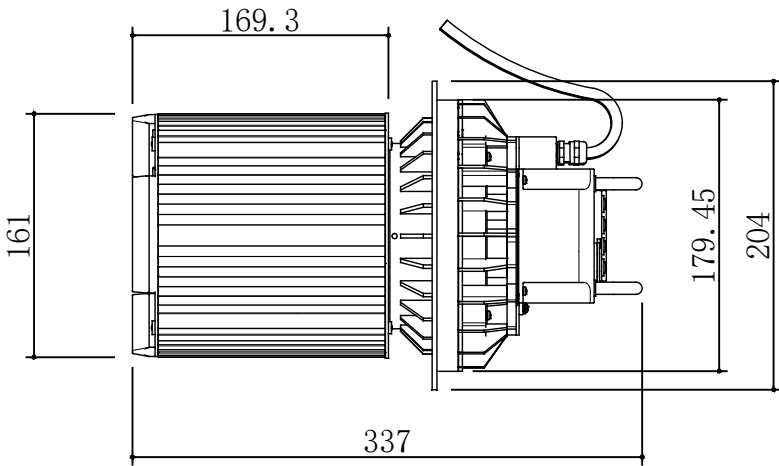


1 2 3 4

DRAWING NO.



E	APPROVED BY		DRAWING CHECK BY		TITLE		
	DESIGN BY		DRAFTING BY		DRAWING NO.		
F	REVISION No.		LINX JAPAN CO.,LTD		3RD ANGLE PROJECTION		
					SCALE	UNITIS	
					LINX JAPAN CO.,LTD.		

1 2 3 4