

### DMXIS



#### GENERAL INFORMATION

DMXIS consists of a hardware interface (shown above) and a software program, whose license is bundled with this hardware device. While the hardware is similar on some levels to the DMX USB PRO, it can be used only for output, and is intended primarily as an interface for the included program (although others may by coincidence work with it as well.) On-board chips handle timing and signal processing, so you get a clean signal no matter what your PC's processor is up to.

#### APPLICATIONS

- BANDS
- SOLO MUSICIANS
- DJS
- CHURCHES and SMALL THEATRES

#### FEATURES

- Lightweight and portable
- Control up to 512 channels

- 4 LED indicators show power, DMX output, footswitch activity, etc.
- Includes USB cable and software CD.
- Works with MAC OSX and PC/Windows platforms.
- Software works as a plugin for Audio Unit and VST host programs.
- Interacts with MIDI notes and Control Changes to offer live control over parameters.
- Allows Footswitch controlled operation
- Has 5 pin and 3 pin outputs for greater flexibility

#### ACCESSORIES

A DMX terminator is recommended to go at the end of each chain of DMX signal. A splitter should be used when multiple branches or chains are required (or in other advanced wiring scenarios).

#### ORDERING INFORMATION

Part Number	Description
#70570	DMXIS

#### OPTIONS

Part Number	Description
#70572	D-SPLIT

#### SPARE PARTS

Part Number	Description
#79110	Replacement USB Cable

#### GENERAL SPECIFICATIONS

Power Requirements	300mA supplied by USB
Weight	0.66 LBS / 0.3 KG
Shipped Weight	0.88 LBS / 0.4 KG

ENTTEC Main HQ  
 17 / 5 Samantha Court  
 Knoxfield, VIC 3180  
 Australia  
 +61 3 9763 5755 Tel  
 +61 3 9763 5688 Fax

Information accurate at time of printing but Enttec reserves the right to change specifications of product when manufacturing process requires it. Please consult Enttec for latest update if specific functionality is required for project.

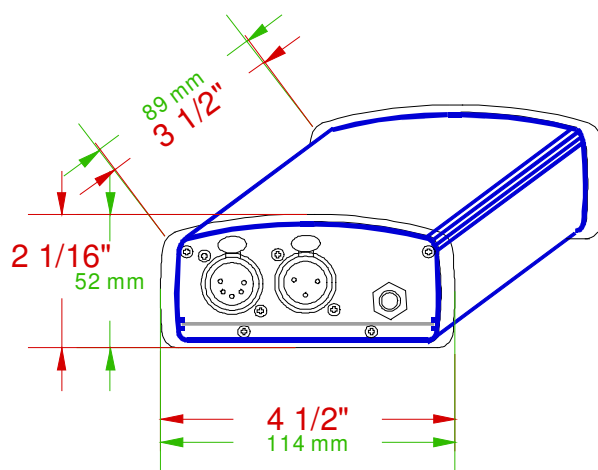
ENTTEC USA SALES  
 1821 Hillendale Rd Ste 1B-351  
 Durham, NC 27705  
[sales@enttec.com](mailto:sales@enttec.com)  
 888 454-5922 Tel.  
 888 454-5922 Fax

Width	4 1/2" / 114MM
Height	2 1/16" / 52MM
Depth	3 1/2" / 89MM
Operating Environment	0°-50°C in non-condensing environment

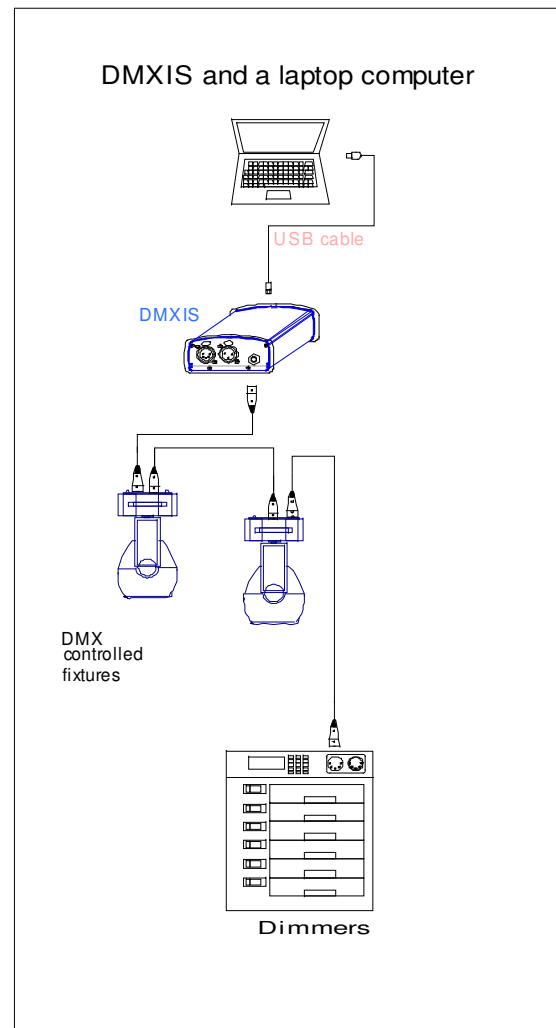
### FUNCTIONAL SPECIFICATIONS

- USB port works with USB 1.1 or 2.0
- DMX Output - 5 Pin XLR and 3 Pin XLR (Use only one, not both, or corrupted data may occur.)
- 1/4" Stereo Jack for Footswitch Input
- 1500V isolation between data & power lines to protect your computer from surges
- Micro processor enabled
- Internal frame buffering
- Drivers for Windows, OSX
- Refresh Rate configurable from 1 to 40Hz with a full 512 channel frame
- Break configurable from 96uS to 1.3mS
- MaB configurable from 10.6uS to 1.3mS
- Upgradeable firmware

### Technical Illustration with Dimensions



### Wiring Diagram (Riser)



See other Riser Diagrams, Plates 70570-1 through 70570-2

ENTTEC Main HQ  
17 / 5 Samantha Court  
Knoxfield, VIC 3180  
Australia  
+61 3 9763 5755 Tel  
+61 3 9763 5688 Fax

Information accurate at time of printing but Enttec reserves the right to change specifications of product when manufacturing process requires it. Please consult Enttec for latest update if specific functionality is required for project.

ENTTEC USA SALES  
1821 Hillandale Rd Ste 1B-351  
Durham, NC 27705  
[sales@enttec.com](mailto:sales@enttec.com)  
888 454-5922 Tel.  
888 454-5922 Fax