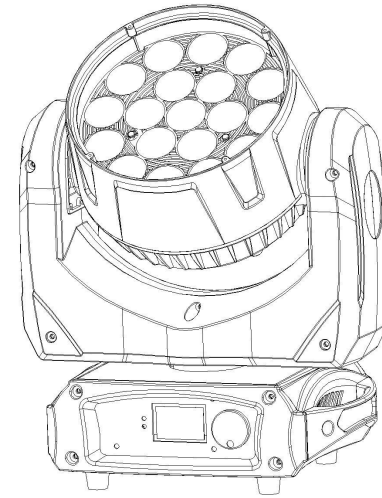


User Manual



19PCS*10W LED Zoom Moving Head Light

Contents

1: Safety Information	1-2
2: Introduction	3-4
3: Fixture Overview	5
4: Using for the First Time	6-7
5: Installment	7-8
6: LCD Display	9-16
7: DMX Channels	17-19
8: Troubleshooting & Solution	20
9: Fixture Cleaning	21-22
10: Output	23

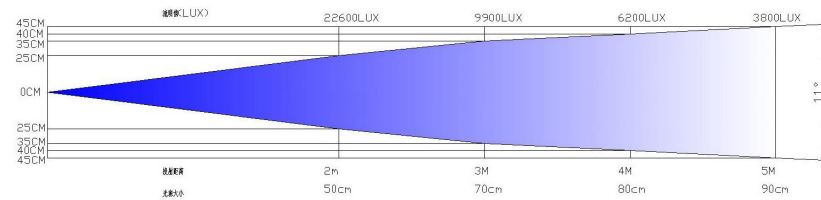
1. Safety Information

Please read carefully the instruction, which includes important information about the installation, usage and maintenance.

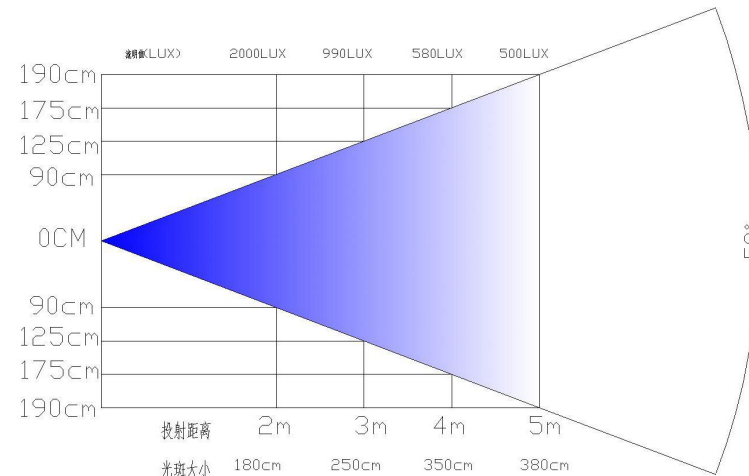
- ◇Unpack and check carefully there is no transportation damage before using the unit.
- ◇Before operating, ensure that the voltage and frequency of power supply match the power requirements of the unit.
- ◇It's important to ground the yellow/green conductor to earth in order to avoid electric Shock.
- ◇The unit is for indoor use only. Use only in a dry location.
- ◇The unit must be installed in a location with adequate ventilation, at least 50cm from adjacent surfaces. Be sure that no ventilation slots are blocked.
- ◇Disconnect main power before replacement or servicing.
- ◇Make sure there are no flammable materials close to the unit while operating as it is fire Hazard.
- ◇Use safety cable when fixes this unit. DO NOT handle the unit by taking its head only, but always by taking its base.
- ◇Maximum ambient temperature is Ta: 40°C. DO NOT operate it where the temperature is higher than this.
- ◇DO NOT touch the housing bare-hand during its operation.
- ◇DO NOT touch any wire during operation as high voltage might be causing electric shock.

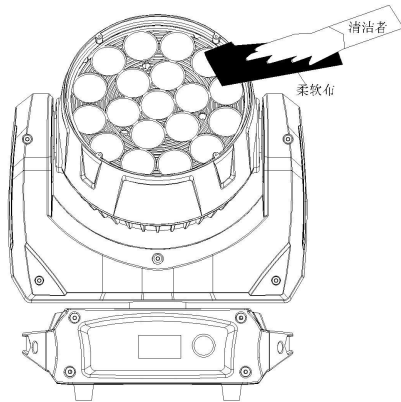
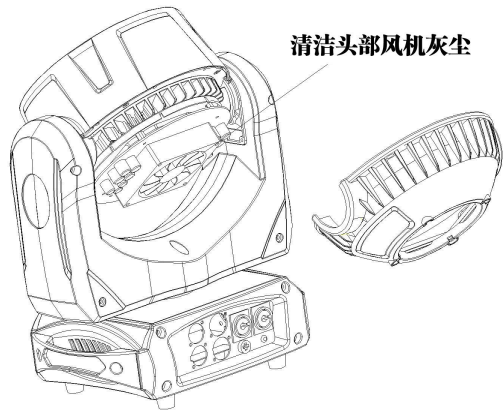
10:Output

RGBW小角度光照表



RGBW大角度光照表





◇In the event of serious operating problem, stop using the unit immediately. Never try to repair the unit by yourself. Repairs carried out by unskilled people can lead to damage or malfunction. Please contact the nearest authorized technical assistance center. Always use the same type spare parts

◇Please read carefully the instruction, which includes important information about the installation, usage and maintenance.

◇Important! The fixture must be protected from environmental factors such as physical shocks and vibration during transportation and storage to a level of protection equal to that provided by carton or flight cases.

2.Introduction

◇DMX Channels: 25CH

◇Control: DMX 512 mode, Auto mode, master-slave mode

◇Blue LCD Display + Roller control

◇Low power consumption, long lifetime 19*10W 4-in-1 GRBW Tianxin LED as Beam effect , 30 pieces low power consumption RGB Osram LEDs as secondly light the secondary illuminate LEDs aura.

◇Pan/Tilt Motor, Rapid Movement, ultra-silence, 3-Phase Step Motors

◇0 - 100% smooth electronic dimming adjustment

◇Electronic shutter apply in beam and aura effect

◇The Beam: the LEDs that provide the main output

◇ The Aura: the secondary LEDs that illuminate the front of the head, provide local diffuse light output and can be set to contrast with the Beam output.

◇ Perfect for stage, theatre, TV studio, rental and discotheques

◇ Voltage: AC100-240V,50/60Hz

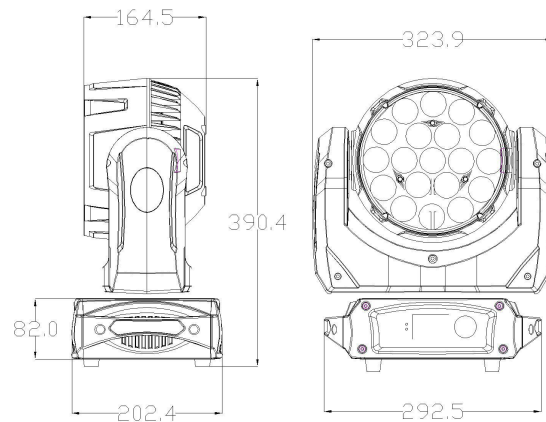
◇ Power Consumption:245W

◇ Beam angel: 11°-58°linear zoom

◇ Pan 0-540° Tilt 0-212°

◇ Net Weight: 8.2Kg

◇ Dimension: 324x203x390.4mm



cables that may cause damage or interference to DMX interface circuit.

◇ **C. One of the channels is not working well**

1. The stepper motor might be damaged or the cable connected to the PCB is broken.

2. The motor's drive IC on the PCB might be out of condition.

9. Fixture Cleaning

The cleaning of internal and external optical lenses and/or mirrors must be carried out periodically to optimize light output.

Cleaning frequency depends on the environment in which the fixture operates: damp, smoky or particularly dirty surrounding can cause greater accumulation of dirt on the unit's optics.

Clean with soft cloth using normal glass cleaning fluid.

Always dry the parts carefully.

Clean the external optics at least every 20 days. Clean the internal optics at least every 30/60 days.

Clean the fans on the head and base every 20 days.

Disconnect the fixture before clear.

4

4. Try to use another DMX controller.

5. Check if the DMX cables run near or run alongside to high voltage

21

24 HA GREEN	0-255	Dark→ Bright Dimmer, Color Macro Adjust Green LED Aura
25 HA BLUE	0-255	Dark→ Bright Dimmer, Color Macro Adjust Blue LED Aura

8. Troubleshooting & Solution

Following are a few common problems that may occur during operation. Here are some suggestions for easy troubleshooting:

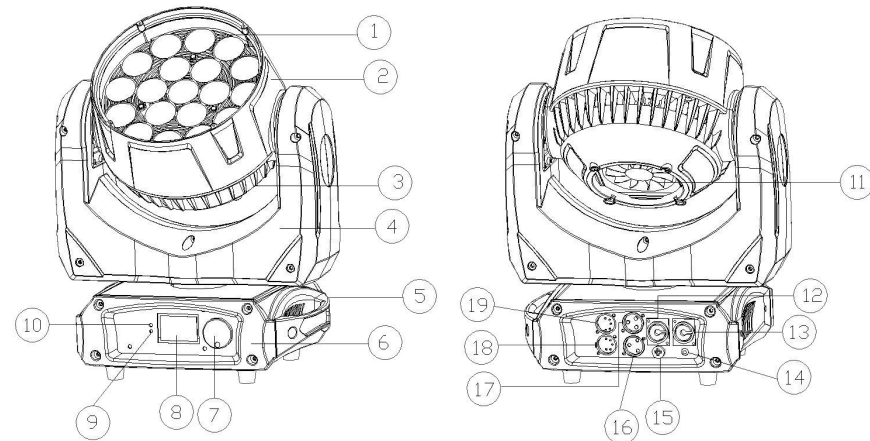
◇ **A. The unit does not work, no light and the fan does not work**

1. Check the connection of power and main fuse.
2. Measure the mains voltage on the main connector.
3. Check the power on LED.

◇ **B. Not responding to DMX controller**

1. DMX LED should be on. If not, check DMX connectors, cables to see if link properly.
2. If the DMX LED is on and no response to the channel, check the address settings and DMX polarity.
3. If you have intermittent DMX signal problems, check the pins on connectors or on PCB of the unit or the previous one.

3: Fixture overview



1	Figure Out	8	Blue LCD Display	15	Fuse
2	Plastic Head Cover	9	Signal light	16	3-Pin DMX out
3	Plastic Back Cover	10	Power light	17	3-Pin DMX in
4	Plastic Arm	11	Fans	18	5-Pin DMX out
5	Bottom Handle	12	Power IN	19	5-Pin XLR in
6	Bottom Side Board	13	Power Out		
7	LCD Display Control	14	Ground Wire Screw		

4. Using for the first time

◇Important! The items must be protected from environmental factors such as physical shocks and vibration during transportation and storage to a level of protection equal to that provided by carton box or flight cases.

◇Warning! Before applying power to the fixture: Check that the local AC mains power source is within the fixture’s power voltage and frequency ranges.

◇ Before applying power to the fixture:Check that the local AC mains power source is within the fixtures power voltage and frequency ranges, are respectively 110-240W and 50/60HZ.

◇For protection from electric shock, the 19*10W LED Zoom Aura must be grounded (earthed). The power distribution circuit must be equipped with a fuse or circuit breaker and ground-fault (earth-fault) protection.

◇Socket outlets or external power switches used to supply the 19*10W LED Zoom Aura with power must be located near the fixture and easily accessible so that the fixtures can easily be disconnected from power.

◇Do not use an external dimming system to supply power to the 19*10W LED Zoom Aura, as this may cause damage to the fixture that is not covered by the product warranty.

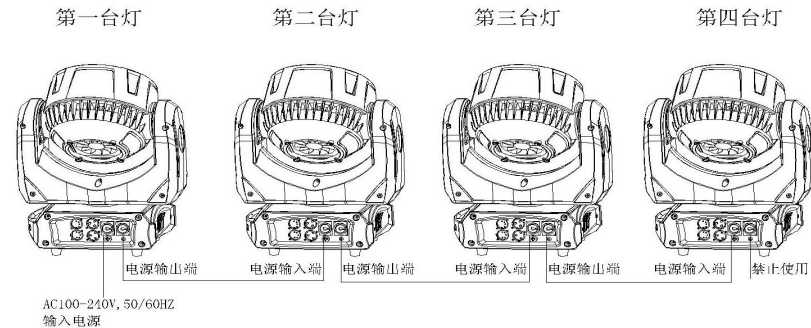
◇In order to avoid overheating temperature burned out LEDs, the fixture with an lower 90Celsius degree protect.

◇Attention: The fixture special design power input and output for

16 Strobe 3	0-255	Light up in 0~5.10 seconds
17 Strobe 4	0-255	Bright keep in 0~5.10 seconds
18 Strobe5	0-255	Light off in 0~5.10 seconds
19 FADE	0-255	Aura Speed (fast→slow)
20 HA LED Strobe	0-1 2-64 65-127 128-190 191-253 254-255	Shutter open Closing pulse (slow→ fast) Opening pulse (slow→ fast) Adjust random Shutter (slow→ fast) Adjust random Shutter Shutter open
21 HA Led DIMMER	0-255	Dark to bright Aura dimmer
22 HA Led MICRO	0-3 4-67 68-131 132-255	No MACRO Function Fixed MACRO Function, RGB Aura interchange Fixed MACRO Function, RGBW Aura interchange Aura MACRO Function
23 HA RED	0-255	Dark→ Bright Dimmer, Color Macro Adjust Red LED Aura

	105-109 110-114 115-119 120-124 125-129	No Function Display Backlight Auto Control No Function Reset No Function
9 LED MICRO	0-3 4-67 68-131 132-255	No MACRO Function Fixed MACRO Function, RGB LED interchange Fixed MACRO Function, RGBW LED interchange LED MICRO Function
10 RED	0-255	Dark→ Bright Dimmer, Color Macro Adjust Red LED Dimmer
11 GREEN	0-255	Dark→ Bright Dimmer, Color Macro Adjust Green LED Dimmer
12 BLUE	0-255	Dark→ Bright Dimmer, Color Macro Adjust Blue LED Dimmer
13 WHITE	0-255	Dark→ Bright Dimmer, Color Macro Adjust White LED Dimmer
14 BEAM CTC	0-1 2-255	No Function BEAM CTC
15 Strobe 2	0-255	Light off for 0~5.10 seconds

easy install and save cable power, it is allow connect 4 units model.



5. Physical installation

!1:Warning: Fasten the fixture securely to a fixed surface or structure when in use. The fixture is not portable when installed. Disconnect the fixture from AC power before removing or installing any cover or part and when not in use.

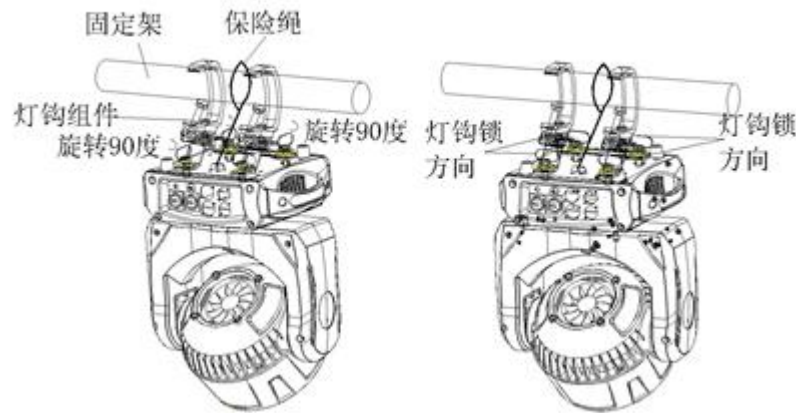
!2:Warning: The clamp must be screwed into the central threaded hole in the fixture base. Do not apply power to the fixture if it is standing freely or the fixture can be moved.

!3:Warning: Allow enough clearance around the head to ensure that it cannot collide with an object or another fixture when it moves. the minimum distance is 300 mm or 12 inches.

!4: Warning! Do not expose the front glass to sunlight or other strong

light sources. If light from the sun or other fixtures hits the front glass directly or at an angle, it can cause damage inside the fixture or around the edge of the front glass. Strong sunlight can cause damage within seconds! Before the fixture is exposed to sunlight or strong light, shield the front glass or point the head in the opposite direction to the light source.

!5:Warning : Ensure that any supporting structure and/or hardware used can hold at least 10 times the weight of all the devices they support. Fasten the fixture securely to a fixed surface or structure when in use. Before using the fixture, check that all power distribution equipment and cables are in perfect condition and rated for the current requirements of all connected devices.



7. DMX Channels

Channel	Value	Function
1 Strobe	0-1	Strobe open
	2-64	Closing pulse (slow→ fast)
	65-127	Opening pulse (slow→ fast)
	128-190	Adjust random strobe (slow→ fast)
	191-253	Adjust random strobe
	254-255	Strobe open
2 Dimmer	0-255	Dimmer (dark → bright)
3 Focus	0-255	Focus (Big → Small)
4 Pan	0-255	Pan 0° - 540°
5 Pan Fine	0-255	Pan Fine 16-Bit
6 Tilt	0-255	Tilt 0°-212°
7 Tilt Fine	0-255	Tilt Fine 16-Bit
8 FUNCTION	0-59	No Function
	60-64	Fans Full Speed
	65-69	No Function
	70-74	Fans Adjust Speed
	75-79	No Function
	80-84	Display Positive
	85-89	No Function
	90-94	Display Reverse
	95-99	No Function
	100-104	Display Backlight Open

AU.Dimmer:000
AU.LEDMicro:000
AU.Red:000
AU.Green:000
AU.Blue:000

Reset

Press ENTER!

System Reset

PT Reset

Factory Setting

Password:0000

==Hidden menu==

Password:0000

==Hidden menu==

Pan Adjust

Value: 000~255

Tilt Adjust

Value: 000~255

Zoom Adjust

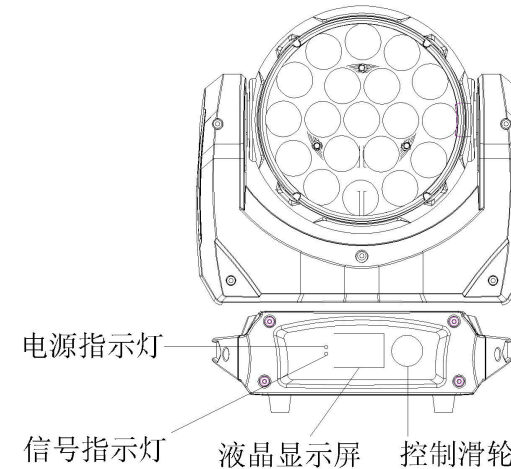
Value: 000~255

Fans MaxSpeed

Value: 000~255(slow→fast)

6. LCD Display

6.1 LCD Display



6.2 Menu Operation:

- ◇ Status Menu : To enter a menu, press (Enter), LCD Display show Main Menu
- ◇ Status Menu: To enter a menu, press (Enter) for a while, LCD Display show Information Menu
- ◇ Main Men: Long time no operation, auto return back Status Menu
- ◇ Connect Console with DMX, auto run by DMX Signal
- ◇ The master fixture send signals through DMX, other fixtures run in slave status
- ◇ Reset Show on Display AU.Shutter:000

SYSTEM RESET

◇ Status Menu(Standby menu):

1~512

Ready! / DMX Input OK!(DMXOK!)

MST

Scene Step:001~255

SLV

DMX Input OK!(DMXOK!)

===Error Info===

Nother

Fans Error

Temp. Error

DMX Error(DMX)

Memory Error

Pan Error(Pan)

Tilt Error(Tilt)

===Main Menu===

DMX Address

Address: 001~512

Channel Mode

Standard(14ch)

Extend(25ch)

Run Mode

Fans Monitor

Fan1:0000(RPM)~9999(RPM)

Fan2:0000(RPM)~9999(RPM)

Temperature

Lamp Tem:-20'C~105'C

Driver Tem:-20'C~105'C

DMX Monitor(DMX)

BM.Shutter:000

BM.Dimmer:000

Zoom:000

Pan:000

PanFine:000

Tilt:000

TiltFine:000

Function:000

BM.LEDMicro:000

BM.Red:000

BM.Green:000

BM.Blue:000

BM.White:000

BeamCTC:000

BM.Close:000

BM.CtoO:000

BM.Open:000

BM.OtoC:000

BM.Fade:000

Initializing...

Open
Auto Close(15s)
Fade Set
Value: 000~255
Fans Setup
Full
Auto
OSC Calibration
Send Count
Value: 000~255
Calibration
Value: 000~255
Information
System Version
MCU1:V1.01(V*.**)
MCU2:V1.01(V*.**)
MCU3:V1.01(V*.**)
Fixture Hours
Total:0000hrs~9999hrs
Cur.:0000hrs~9999hrs
Press ENT Clear!
Lamp Hours
Total:0000hrs~9999hrs
Cur.:0000hrs~9999hrs
Press ENT Clear!

DMX Receive
Def.Scene
Slave(Follow)
Master(Auto)"
Master Setup
Start Scene:001~255
End Scene:001~255
Master Sp:10%~990%
Edit Scene
BM.Shutter:000
BM.Dimmer:000
Zoom:000
Pan:000
Pan Fine:000
Tilt:000
Tilt Fine:000
Function:000
BM.LED Micro:000
BM.Red:000
BM.Green:000
BM.Blue:000
BM.White:000
Beam CTC:000
BM.Close:000
BM.CtoO:000

BM.Open:000
BM.OtoC:000
BM.Fade:000
AU.Shutter:000
AU.Dimmer:000
AU.LED Micro:000
AU.Red:000
AU.Green:000
AU.Blue:000
Save to Scene

Scene Time:00.1s~25.5s

Scene Index:000~255

Save Scene

Save To Def. Scene

Manual Control

BM.Shutter:000
BM.Dimmer:000
Zoom:000
Pan:000
Pan Fine:000
Tilt:000
Tilt Fine:000
Function:000
BM.LED Micro:000
BM.Red:000

BM.Green:000

BM.Blue:000
BM.White:000
Beam CTC:000
BM.Close:000
BM.CtoO:000
BM.Open:000
BM.OtoC:000
BM.Fade:000
AU.Shutter:000
AU.Dimmer:000
AU.LED Micro:000
AU.Red:000
AU.Green:000
AU.Blue:000

Option

Invert Pan(PAN)
Off
On
Invert Tilt(TILT)
Off
On
Reversal
Off
On
BackLigh