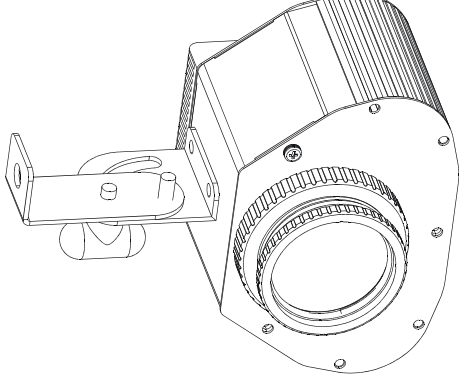




10W LED PINSPOT



LED-PS10

User Manual

Professional Entertainment Technology

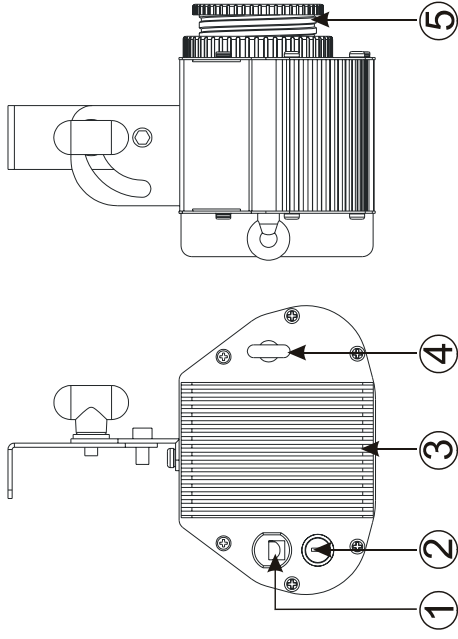
Innovation, Quality, Performance

6. Fixture Cleaning

The cleaning of internal and external optical lenses and/or mirrors must be carried out periodically to optimize light output. Cleaning frequency depends on the environment in which the fixture operates: damp, smoky or particularly dirty surrounding can cause greater accumulation of dirt on the unit's optics.

- Clean with soft cloth using normal glass cleaning fluid.
- Always dry the parts carefully.
- Clean the external optics at least every 20 days. Clean the internal optics at least every 30/60 days.

4. Control Panel



- ① **Mains input:** Connect to power supply.
- ② **Fuse:** Protect the unit from damage of current.
- ③ **Hanging bracket:** Fix mounting hook.
- ④ **Heat sink for the LED:** do not cover this part to ensure proper cooling.
- ⑤ **Optical lens:** Turn the lens to change the focus and obtain sharp gobos.

5. Troubleshooting

Following are a few common problems that may occur during operation. Here are some suggestions for easy troubleshooting:

A. The fixture does not work, no light

1. Check the connection of power and main fuse.
2. Measure the mains voltage on the main connector.

B. No response to the sound

1. Make sure the fixture does not receive DMX signal.
2. Check microphone to see if it is good by tapping the microphone.

TABLE OF CONTENTS

1. Safety Instruction
2. Technical Specification
3. Installation
4. Control Panel
5. Trouble Shooting
6. Fixture Cleaning

1. Safety Instruction



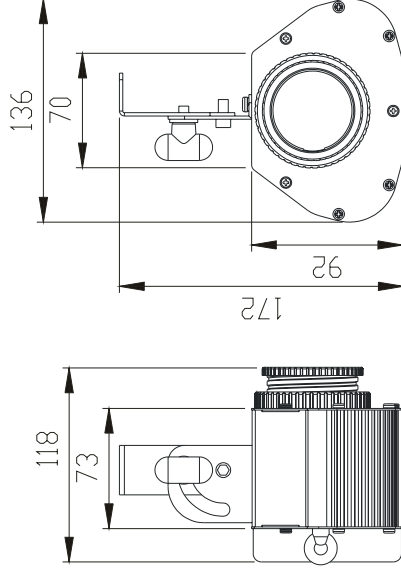
Please read the instruction carefully which including important information about the installation, operation and maintenance.

WARNING

- Please keep this User Manual for future consultation. If you sell the unit to another user, be sure that they also receive this instruction booklet.
- Unpack and check carefully there is no transportation damage before using the unit.
- Before operating, ensure that the voltage and frequency of power supply match the power requirements of the unit.
- It's important to ground the yellow/green conductor to earth in order to avoid electric shock.
- The unit is for indoor use only and use only in a dry location.
- The unit must be installed in a location with adequate ventilation, at least 50cm from adjacent surfaces. Be sure that no ventilation slots are blocked.
- Disconnect mains power before fuse replacement or servicing.
- Replace fuse only with the same type.
- Make sure there are not flammable materials close to the unit while operating as it is fire hazard.
- Use safety cable when fixes this unit.
- Maximum ambient temperature is TA: 40°C and don't operate it where the temperature is higher than this.
- Unit surface temperature may reach up to 60°C. Don't touch the housing bare-hand during its operation.
- There are no user serviceable parts inside the fixture. Do not open the housing or attempt any repairs by yourself. In the unlikely event your fixture may require service, please contact the nearest authorized technical assistance center and always use the same type spare parts.
- Don't connect the device to any dimmer pack or power pack.
- Do not look directly at the LED light beam while the fixture is on.
- The housing must be replaced if they are visibly damaged.
- Do not touch any wire during operation as high voltage might be causing electric shock.

2. Technical Specification

- Innovative design with powerful beam, it is ideal for replacing the traditional halogen pin spot. Not heat, whiter and brighter;
- Different beam angles for different applications, 9° for Mirror Ball and 13° for big mirror ball or as a table light;
- Low power consumption, no duty cycle, runs all night
- Ideal for clubs, bars, discos, parties, mobile DJs, etc..
- **Voltage:** AC 120-240V~50/60Hz
- **LED:** 1 x 10W White LED
- **Power Consumption:** 8.2 W
- **Dimension:** 118 x 136 x 92 mm
- **Weight:** 1 kg



3. Installation

The unit should be mounted via its screw holes on the bracket. Always ensure that the unit is firmly fixed to avoid vibration and slipping while operating. Always ensure that the structure to which you are attaching the unit is secure and is able to support a weight of 10 times of the unit's weight. Also always use a safety cable that can hold 12 times of the weight of the unit when installing the fixture.

The equipment must be fixed by professionals. And it must be fixed at a place where is out of the touch of people and has no one pass by or under it.